



We Build the Invisible

CORONA SHIELD OUR PROTECTIVE SOLUTIONS



Modular and **durable** hygienic **protective walls** for all your spaces.



We Build the Invisible

Via degli Artigiani, n°56 int.1 - 25075 Nave (BS) - ITALY
Tel. (+39)0302532008 | info@colcomgroup.it | www.colcomgroup.it



① COUNTER SNEEZE GUARD



APPLICATIONS

COUNTER, OFFICES, RECEPTION DESK

FEATURES:

A «Sneeze Guard» solution that protects personnel while enforcing social distancing.

Speak-thru cut-out «and pass-thru slot» possible.

Installation: on counters or desks.

Modular and removable solution: with or without screws. self-supporting fastening system.

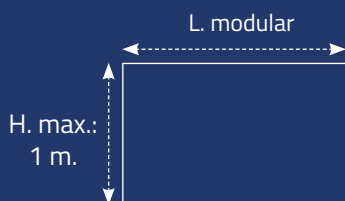
PLACES:

Pharmacies, shops, hairdressing salons, public buildings, offices, industries, tourism organizations, hotels, restaurants, bars.

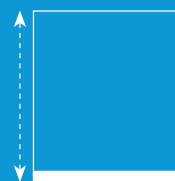
FOR WHICH GLASS?

- Type of glass:
 - Tempered monolithic
 - Non-tempered laminated
- Glass thickness:
 - 6 à 13,52 mm

PLEXIGLASS
Compatible



HALF HEIGHT



② HYGIENE PARTITION WALL OF PARTIAL AREA



APPLICATIONS

OFFICES, MEETING ROOMS, WAITING ROOMS

FEATURES:

Partition wall between individuals for areas in close proximity. It helps prevent the spread of viruses.

Installation: floor/wall.

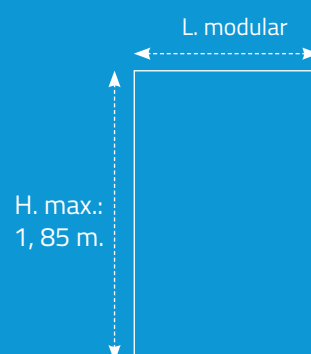
Modular and removable solution: with or without fixing screws, gluing possible.

PLACES:

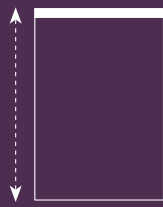
Pharmacies, shops, hairdressing salons, public buildings, offices, industries, tourism organizations, hotels, restaurants, bars.

FOR WHICH GLASS?

- Type of glass:
 - Tempered monolithic
 - Non-tempered laminated
- Glass thickness:
 - 8 à 17,52 mm



ENTIRE HEIGHT



③ HYGIENE PARTITION WALL OF TOTAL AREA



APPLICATIONS

OPEN SPACE, OFFICES, MEETING ROOMS, WAITING ROOMS

FEATURES:

Partitioning and separating spaces allows the creation of new closed rooms.

The popular solution for open spaces: meeting rooms, offices, videoconference rooms, premises...

Installation: floor to ceiling.

Modular solution according to the space.

PLACES:

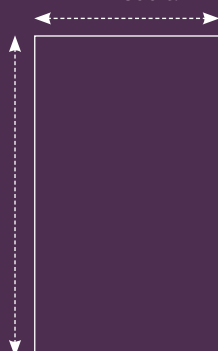
Pharmacies, shops, hairdressing salons, public buildings, offices, industries, tourism organizations, hotels, restaurants, bars.

FOR WHICH GLASS?

- Type of glass:
 - Tempered monolithic
 - Non-tempered laminated
- Glass thickness:
 - 8 à 21,52 mm

H. modular

L. modular



④ TAILOR MADE SOLUTIONS



APPLICATIONS

TAILOR-MADE PROTECTION SOLUTIONS FOR YOUR PREMISES

FEATURES:

Create your protective wall according to the configuration of your offices.

Our fixing solutions will adapt perfectly to all your layout projects.

Installation: from floor to ceiling.

Modular solution according to the space.

PLACES:

Pharmacies, shops, hairdressing salons, public buildings, offices, industries, tourism organizations, hotels, restaurants, bars.

FOR WHICH GLASS?

- Type of glass:
 - Tailor-made
- Glass thickness:
 - Tailor-made

① COUNTER SNEEZE GUARD



SELF-SUPPORTING GLASS CLAMP SW

Glass adjustment possible



PLEXIGLASS Compatible

Reference: 098050060

Material: Aluminium
Finish: Natural aluminium or (RAL 7016)

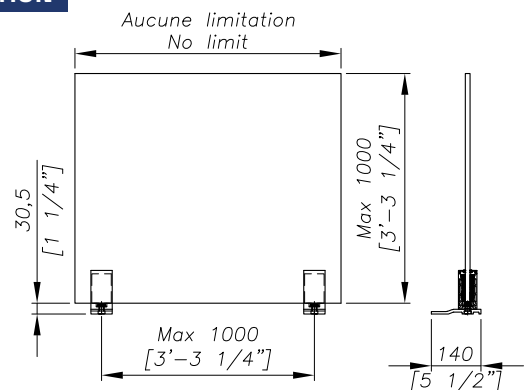
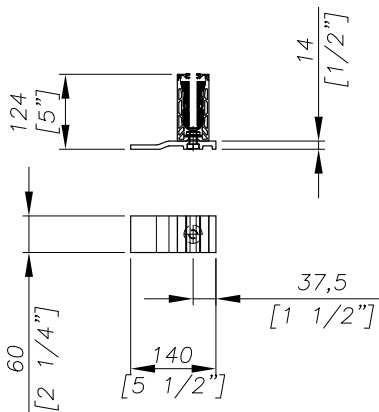
Glass thickness: from 8 to 13,52 mm

Type of glass: Tempered monolithic
Non-tempered laminated

Mounting: glued (adhesive supplied)

INSTALL
IT FITS !

CONFIGURATION



GLASS CLAMP ON SHORT PLATE



PLEXIGLASS
Compatible

Reference: K4040A

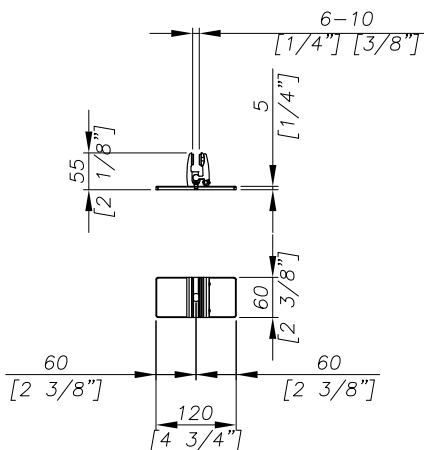
Material: Aluminium

Finish: Natural anodised (02) - Black anodized (05)
Imitation stainless steel (13) - Polished chrome (14)

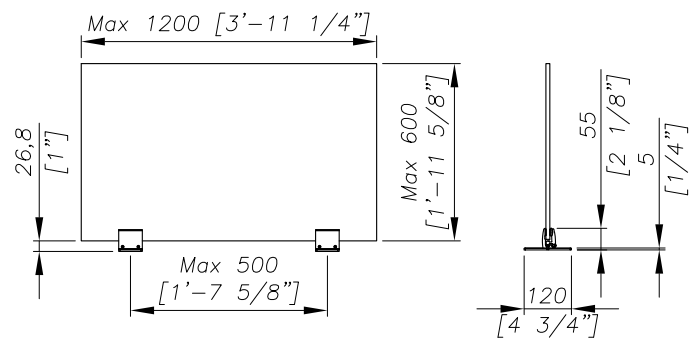
Glass thickness: from 6 to 15 mm

Type of glass: Tempered monolithic
Non-tempered laminated

Mounting: Freestanding or glued



CONFIGURATION



GLASS CLAMP ON LONG PLATE



PLEXIGLASS
Compatible

Reference: K4040B

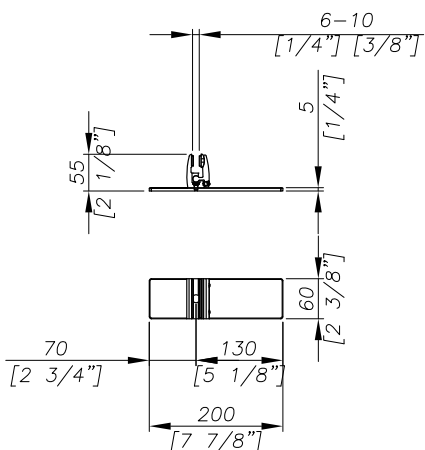
Material: Aluminium

Finish: Natural anodised (02) - Black anodized (05)
Imitation stainless steel (13) - Polished chrome (14)

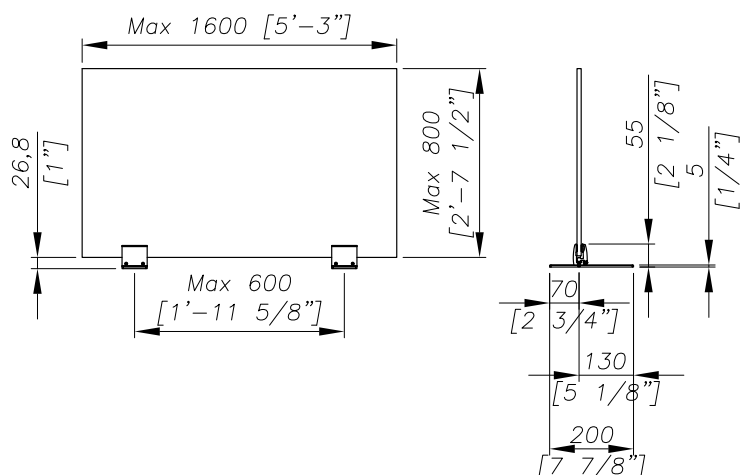
Glass thickness: from 6 to 15 mm

Type of glass: Tempered monolithic
Non-tempered laminated

Mounting: Freestanding or glued



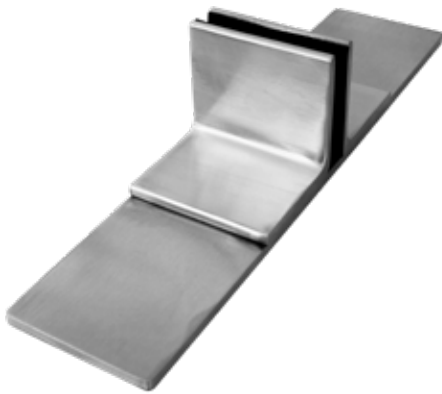
CONFIGURATION



① COUNTER SNEEZE GUARD



SELF-SUPPORTING MONOBLOCK GLASS CLAMP



Food grade stainless steel

PLEXIGLASS Compatible

Reference: 096570300-0610

Material: Food grade stainless steel

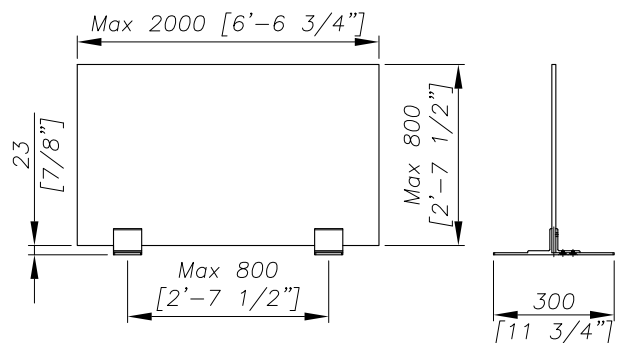
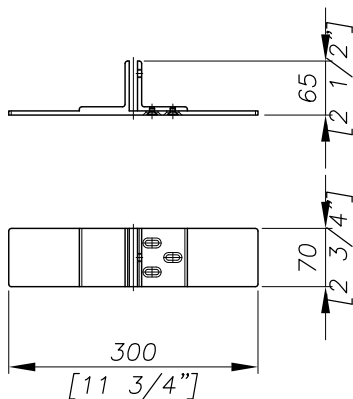
Finish: brushed, mirror polish

Glass thickness: from 6 to 10 mm

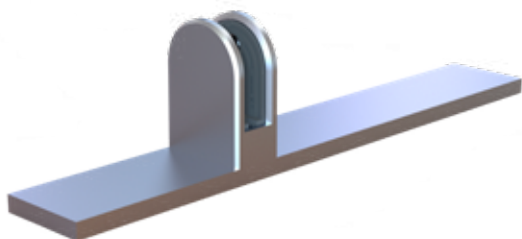
Type of glass: Tempered monolithic
Non-tempered laminated

Mounting: Freestanding or glued

CONFIGURATION



GLASS CLAMP ON PLATE



Food grade stainless steel

PLEXIGLASS Compatible

Reference: 096245300-0812

Material: Food grade stainless steel

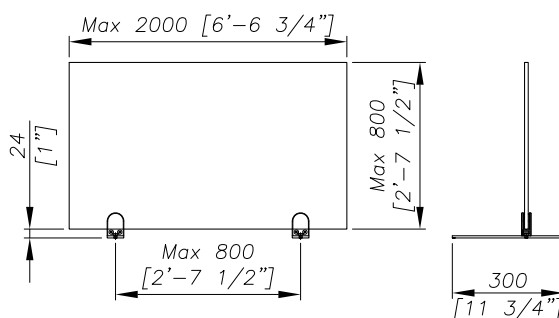
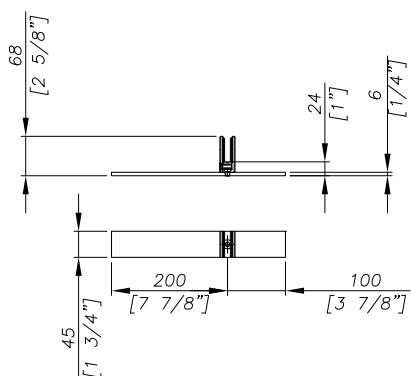
Finish: brushed

Glass thickness: from 6 to 10.2 mm

Type of glass: Tempered monolithic
Non-tempered laminated

Mounting: Freestanding or glued

CONFIGURATION



WALL POINT FIXING Ø30



Food grade stainless steel

PLEXIGLASS Compatible

Reference: 011000062420

Material: Food grade stainless steel

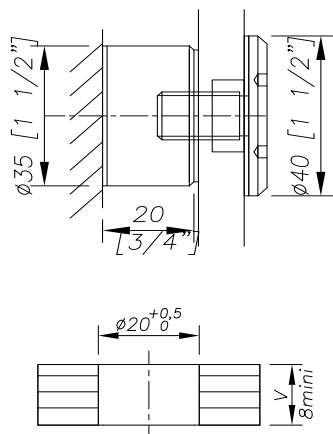
Finish: brushed

Glass thickness: from 8 to 17,52 mm

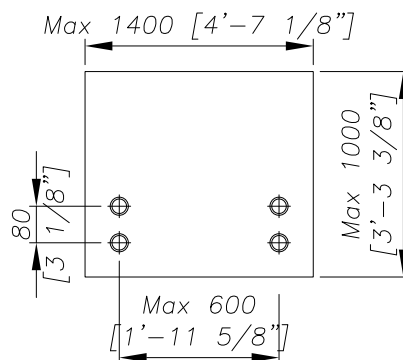
Type of glass: Tempered monolithic
Non-tempered laminated

Mounting: drilled (glass and support) screw VBA ϕ 6 or ϕ 8 metric

CONFIGURATION



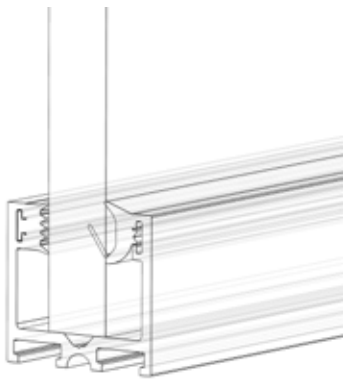
Drilling plan



① COUNTER SNEEZE GUARD



COUNTER PROFILE P20



PLEXIGLASS
Compatible

Reference: P20EC29

Material: Aluminium

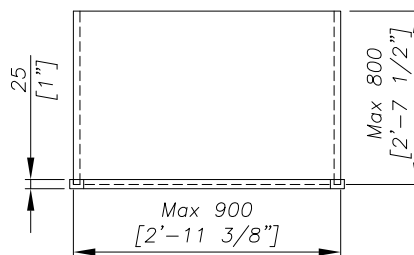
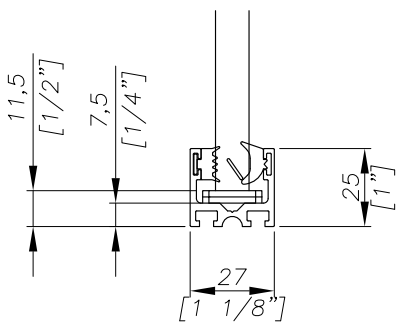
Finish: Natural anodised (02) - Black anodized (05)
Imitation stainless steel (13)

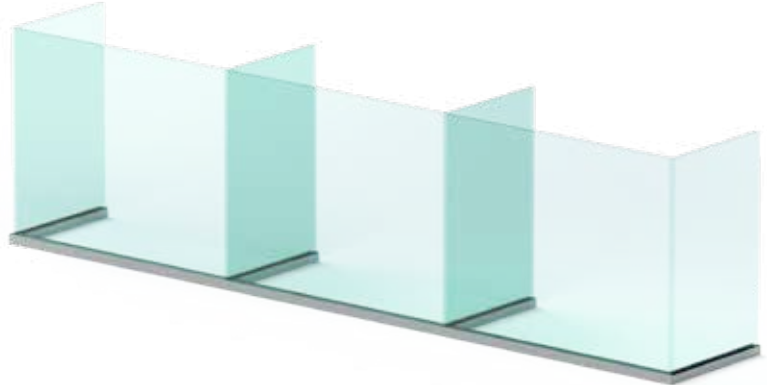
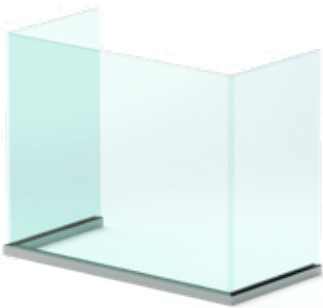
Glass thickness: from 8 to 13,52 mm

Type of glass: Tempered monolithic
Non-tempered laminated

Mounting: Freestanding, glued or screwed

CONFIGURATION

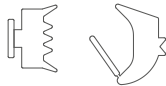




KIT ACCESSORIES

Reference: P20EJ0810/6

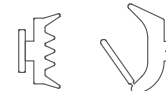
Pair of gaskets L: 5,8 m.



8+10,76mm
5/16" to 7/16"

Reference: P20EJ1113/6

Pair of gaskets L: 5,8 m.



11,52+13,52mm
7/16" to 9/16"

Reference: 1121001

Square corner joint



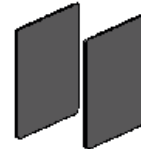
Reference: 1071401

Way joint



Reference: P20EP60

Pair of side caps
0,5 mm



Reference: P20EP62

Connecting bracket
profile P20



Adhesive Bonding Tapes
12 meter



Reference: ROLL1205

8mm
5/16"

Reference: ROLL1207

10mm
3/8"

Reference: ROLL1209

12-12,76mm
1/2"



INO SELF-SUPPORTING GLASS



Reference: 0080INO-0606

Material: Aluminium

Finish: brushed

Glass thickness: from 12 to 21,52 mm

Type of glass: Tempered monolithic
Non-tempered laminated

Mounting: fixed to the ground
screw / dowel \varnothing 10



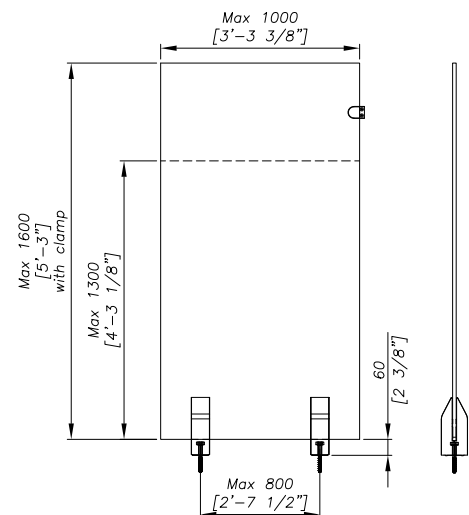
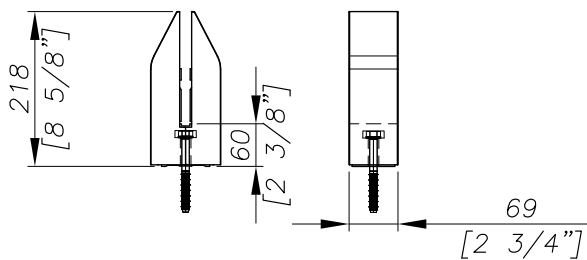
WITHOUT GLASS CLAMP

for glasses with a height
max 1.30 m

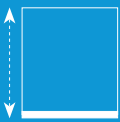
KIT WITH GLASS CLAMP

for glasses with a height
max 1.60 m

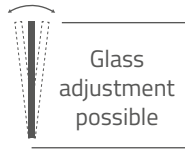
CONFIGURATION



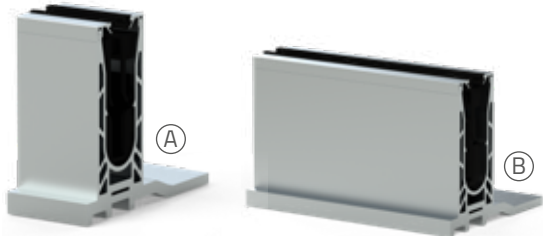
HALF HEIGHT



SELF-SUPPORTING GLASS CLAMP SW



Glass adjustment possible



Reference: 098050060-0606 (A)

Reference: 098050200-0606 (B)

Material: Aluminium
FFinish: Natural aluminium or RAL 7016

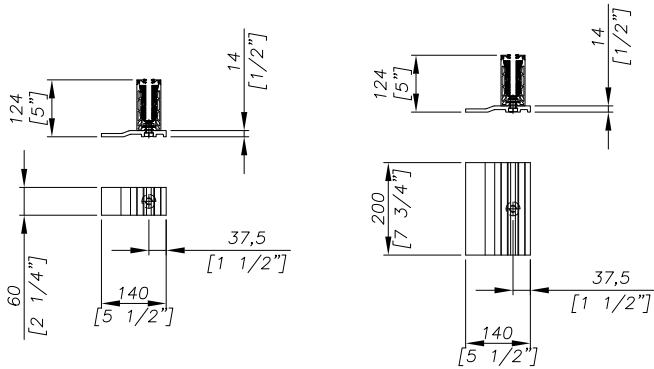
Glass thickness: from 12 to 13,52 mm

Type of glass: Tempered monolithic
Non-tempered laminated

Mounting: glued



INSTALL
IT FITS !



WITHOUT GLASS CLAMP

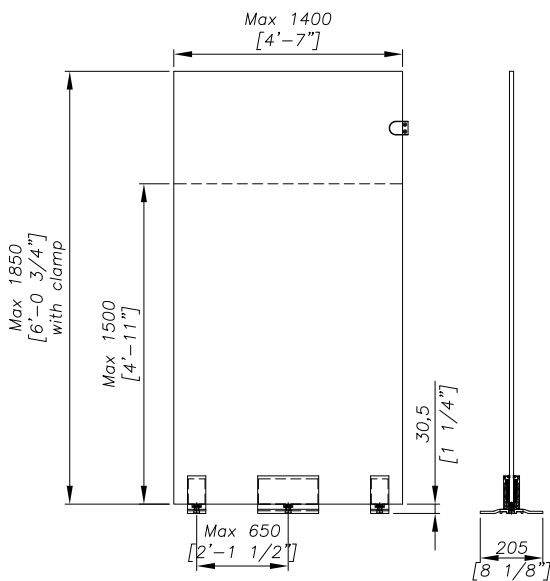
for glasses with a height
max 1.50 m



KIT WITH GLASS CLAMP

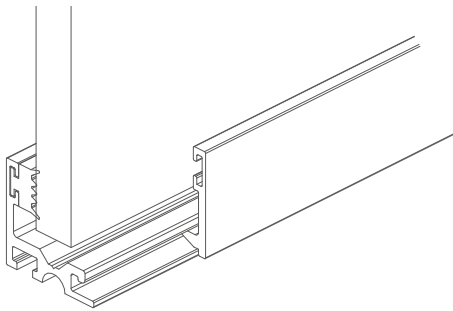
for glasses with a height
max 1.85 m

CONFIGURATION





GLASS WALL PARTITION PROFILE P20



Reference: P20E28

Reference: P20EC29

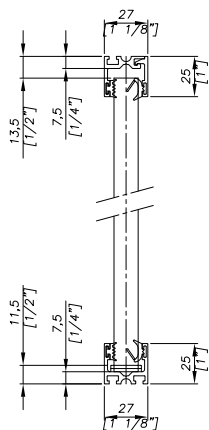
Material: Aluminium

Finish: Natural anodised (02) - Black anodized (05)
Imitation stainless steel (13)

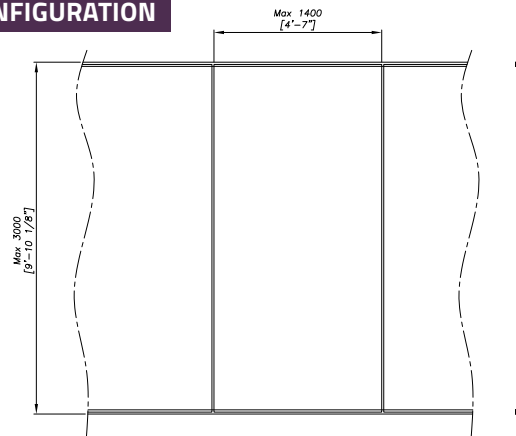
Glass thickness: from 12 to 13,52 mm

Type of glass: Tempered monolithic
Non-tempered laminated

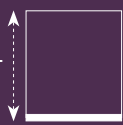
Mounting: floor and ceiling mounted



CONFIGURATION

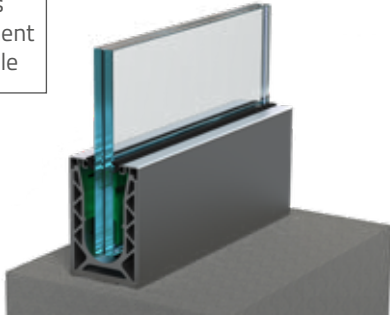


ENTIRE HEIGHT



SELF-SUPPORTED SABCO RAIL

Glass adjustment possible



Reference: 0070RAIL10-0606

Material: Aluminium

Finish: brushed or RAL 7016

Glass thickness: from 12 to 21,52 mm

Type of glass: Tempered monolithic
Non-tempered laminated

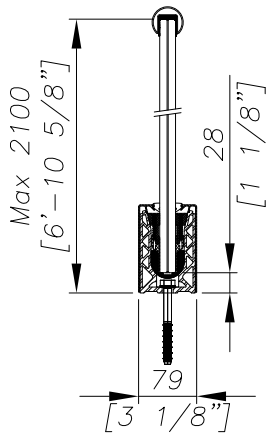
Mounting: fixed to the ground
screw / dowel ϕ 10



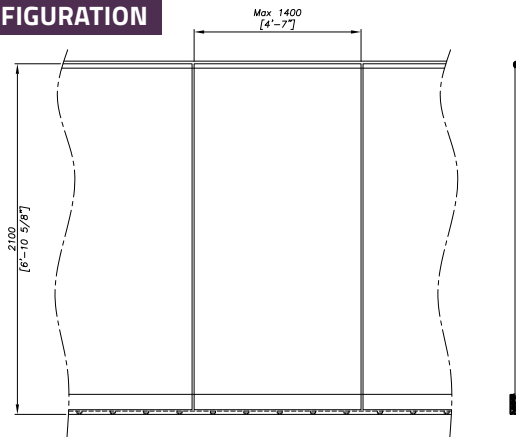
**INSTALL
IT FITS !**



**This profile can also be used as a balustrade.
or file guide for high glass heights.**



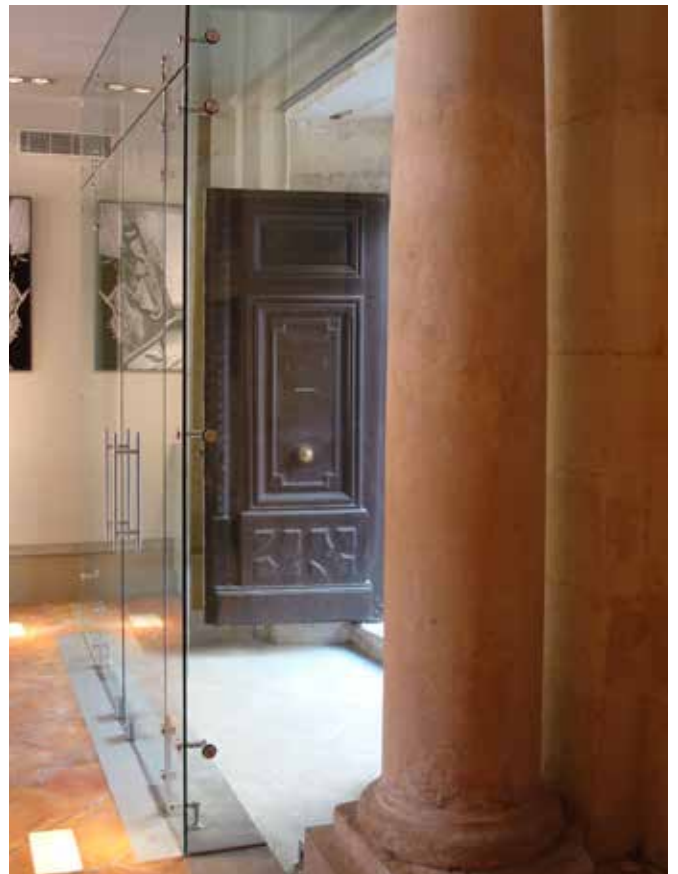
CONFIGURATION



► Product details at the end of the catalogue

Via degli Artigiani, n° 56 int. 1 - 25075 Nave (BS) - ITALY
Tel. (+39)0302532008 | info@colcomgroup.it | www.colcomgroup.it





Ask for your discount!

SELF-SUPPORTING GLASS CLAMP SW

RÉFÉRENCE	MATERIAUX	VERRE	FINITION	PRIX
098050060-0404-01	Aluminium	04-04 or 10 mm	Brushed (01)	35 €
098050060-0404-03	Aluminium	04-04 or 10 mm	Lacquered RAL 7016 (03)	49 €
098050060-0505-01	Aluminium	05-05 or 10 mm	Brushed (01)	35 €
098050060-0505-03	Aluminium	05-05 or 10 mm	Lacquered RAL 7016 (03)	49 €
098050060-0606-01	Aluminium	06-06 or 12 mm	Brushed (01)	35 €
098050060-0606-03	Aluminium	06-06 or 12 mm	Lacquered RAL 7016 (03)	49 €



GLASS CLAMP ON SHORT PLATE

REFERENCE	MATERIALS	GLASS THICKNESS	FINISH	PRICE
K4040A-02	Aluminium	from 6 to 15 mm	Natural anodised (02)	41 €
K4040A-05	Aluminium	from 6 to 15 mm	Black anodised (05)	43 €
K4040A-13	Aluminium	from 6 to 15 mm	Imitation stainless steel (13)	81 €
K4040A-14	Aluminium	from 6 to 15 mm	Polished chrome (14)	59 €



GLASS CLAMP ON LONG PLATE

REFERENCE	MATERIALS	GLASS THICKNESS	FINISH	PRICE
K4040B-02	Aluminium	from 6 to 15 mm	Natural anodised (02)	45 €
K4040B-05	Aluminium	from 6 to 15 mm	Black anodised (05)	46 €
K4040B-13	Aluminium	from 6 to 15 mm	Imitation stainless steel (13)	84 €
K4040B-14	Aluminium	from 6 to 15 mm	Polished chrome (14)	63 €



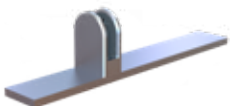
SELF-SUPPORTING MONOBLOCK GLASS CLAMP

REFERENCE	MATERIALS	GLASS THICKNESS	FINISH	PRICE
096570300-0610-01	Food grade stainless steel	from 6 to 10 mm	Brushed (01)	46 €
096570300-0610-02	Food grade stainless steel	from 6 to 10 mm	Mirror polish (02)	55 €



GLASS CLAMP ON PLATE

REFERENCE	MATERIALS	GLASS THICKNESS	FINISH	PRICE
096245300-0812	Food grade stainless steel	from 8 to 12 mm	Brushed (01)	52 €





WALL POINT FIXING $\phi 40$

REFERENCE	MATERIALS	GLASS THICKNESS	FINISH	PRICE
01 10 00 06 24 20	Food grade stainless steel	from 8 to 12 mm	Brossé (01)	22 €
01 10 00 06 24 24	Food grade stainless steel	from 12,5 to 17,5 mm	Brossé (01)	23 €



COUNTER PROFILE P20 - LENGTH 2,9 METERS

REFERENCE	MATERIALS	GLASS THICKNESS	FINISH	PRICE
P20EC29-02	Aluminium	from 8 to 13,52 mm	Natural anodised (02)	49,68 €
P20EC29-05	Aluminium	from 8 to 13,52 mm	Black anodised (05)	50,38 €
P20EC29-13	Aluminium	from 8 to 13,52 mm	Imitation stainless steel (13)	49,92 €



ACCESSORIES FOR COUNTER PROFILE P20

REFERENCE	DENOMINATION	GLASS THICKNESS	DIMENSIONS	PRICE
P20EJ0810/6	Pair of gaskets	from 8 to 10,76 mm	5,8 meters	9,44 €
P20EJ1113/6	Pair of gaskets	from 11,52 to 13,52 mm	5,8 meters	6,62 €



1121001	Square corner joint	10-10.8	3 meters	1-5 pcs 33,18 €
				6-29 pcs 28,98
				30 pcs 23,70 €
1121201	Square corner joint	12-12.8	3 meters	1-5 pcs 35,22 €
				6-29 pcs 30,74
				30 pcs 25,16 €
1124001	Square corner joint	16.8-17	3 meters	1-5 pcs 49,56 €
				6-29 pcs 43,26
				30 pcs 38,40 €



1071401	Way joint	10-10.8	3 meters	43,48 €
1071601	Way joint	12-12.8	3 meters	44,50 €



P20EP60	Pair of cap	X	0,5 mm	(05) 15,14 €
				(31) 10,82 €



P20EP62	Connecting bracket profile P20	X	X	12,50 € / l'unità
---------	--------------------------------	---	---	-------------------



ROLL1205	Adhesive Bonding Tapes	8 mm	12 meters	28,36 €
ROLL1207	Adhesive Bonding Tapes	10 mm	12 meters	36,24 €
ROLL1209	Adhesive Bonding Tapes	from 12 à 12,76 mm	12 meters	46,23 €
ROLL1214	Adhesive Bonding Tapes	17,52 mm	12 meters	72,46 €

: Net price

Ask for your discount!



INO SELF-SUPPORTING GLASS

REFERENCE	MATERIALS	GLASS THICKNESS	FINISH	PRICE
0080INO-0606	Inox	06.06 or 12 mm	Brushed (01)	70 €
0080INO-0808	Inox	08.08 or 16 mm	Brushed (01)	70 €
0080INO-1010	Inox	10.10 or 20 mm	Brushed (01)	70 €



SELF-SUPPORTING GLASS CLAMP SW

REFERENCE	MATERIALS	GLASS THICKNESS	FINISH	PRICE
098050060-0606-01	Aluminium	06.06 or 12 mm	Brushed (01)	35 €
098050060-0606-03	Aluminium	06.06 or 12 mm	Lacquered RAL 7016 (03)	49 €



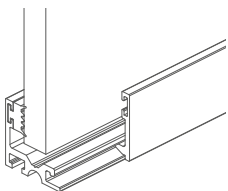
SELF-SUPPORTING GLASS CLAMP SW

REFERENCE	MATERIALS	GLASS THICKNESS	FINISH	PRICE
098050200-0606-01	Aluminium	06.06 or 12 mm	Brushed (01)	70 €
098050200-0606-03	Aluminium	06.06 or 12 mm	Lacquered RAL 7016 (03)	98 €



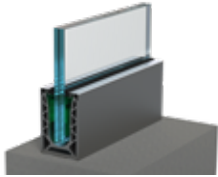
GLASS CLAMP

REFERENCE	MATERIALS	GLASS THICKNESS	FINISH	PRICE
00086245-0812	Inox	from 8 to 12 mm	Brushed stainless steel	13 €



HYGIENE PARTITION GLASS WALL PROFILE P20

REFERENCE	MATERIALS	GLASS THICKNESS	FINISH	PRICE
P20E29-02	Aluminium	from 12 to 13,52 mm	Anodisé naturel (02)	50,88 €
P20E28-05	Aluminium	from 12 to 13,52 mm	Black (05)	51,88 €
P20E29-13	Aluminium	from 12 to 13,52 mm	Imitation stainless steel (13)	51,72 €




SELF-SUPPORTING PROFILE SABCO

REFERENCE	MATERIALS	GLASS THICKNESS	FINISH	PRICE
0070RAIL10-0606-01	Aluminium	06.06 or 12 mm	Natural anodised (02)	429,24 €
0070RAIL10-0606-03	Aluminium	06.06 or 12 mm	Lacquered RAL 7016 (03)	508,76 €
0070RAIL10-0808-01	Aluminium	08.08	Natural anodised (02)	429,24 €
0070RAIL10-0808-03	Aluminium	08.08	Lacquered RAL 7016 (03)	508,76 €
0070RAIL10-1010-01	Aluminium	10.10	Natural anodised (02)	429,24 €
0070RAIL10-1010-03	Aluminium	10.10	Lacquered RAL 7016 (03)	508,76 €

The above prices include the profile, wedges, covers and SABCO seals.
Possibility of cutting to the requested length.



PACK SCREWDRIVER + TORX BIT

REFERENCE		PRICE
	<i>It allows tightening the glass in the wedges.</i>	
007-TRVS-2NM	 Order minimum 1 for tightening conformity	65 €

 : Net price



SUPER DEGREASER

REFERENCE		PRICE
FOURN-NET-FREINS	Cleaning spray - 600ml	9 €

 : Net price



We Build the Invisible

Colcom Group S.p.A.

Tel. (+39)0302532008 - (+39)0302530289

Fax. (+39)0302534707

colcomgroup.it

Via degli Artigiani, n° 56 int.1 - 25075 Nave (Brescia) - Italy

We Build the Invisible

